

Compost turner **CMC SF 200**



The **CMC SF 200** is a self propelled electric drive turning machine ideally suited for small plants. It has proven to be an excellent machine with an ideal mixing ability, simple handling by a manual control unit. Space requirements are kept to a minimum and

the electric drives on the steel chain drive and on the rotor drive are low-noise. To be independent of electricity supply it is also possible to use a power generator. **The CMC SF 200 corresponds to the strict criteria of Controlled Microbial Composting.**



Compost turner

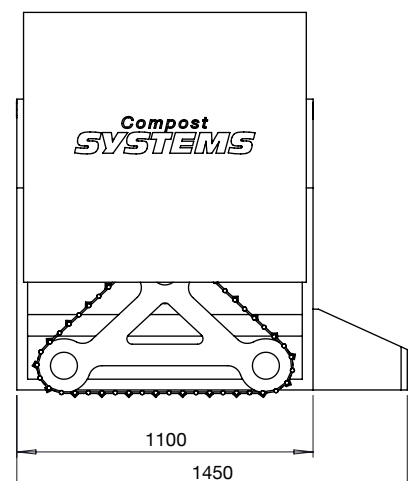
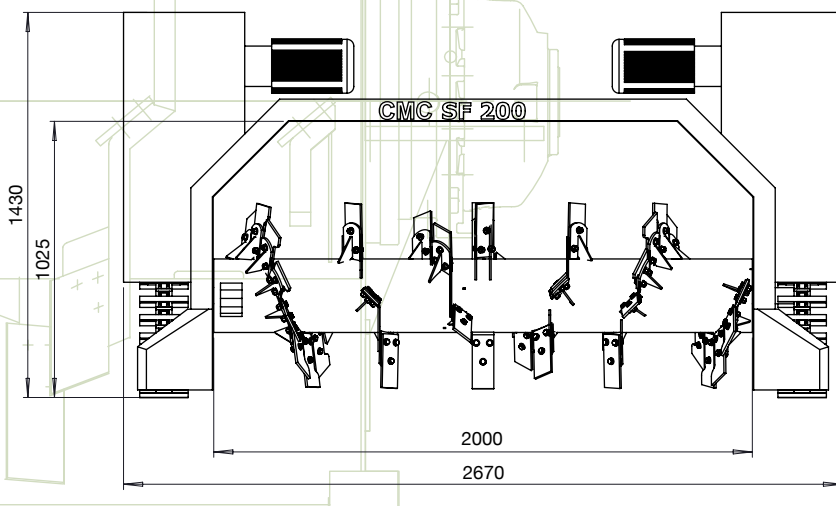
CMC SF 200

Technical data

Maximum width:	2.20 m
Maximum height:	1.00 m
Rotor length:	2.00 m
Machine dimensions:	2.67 m x 1.10 m x 1.43 m
Transport weight:	~ 500 kg
Chassis:	Steel track chain
Driving system:	Electric
Rotor:	2 pc 4 kW electric motor
Chassis:	2 pc 0.5 kW electric motor
Color:	Grey / Blue
Turning quantity:	up to 300 m ³ /h
Working speed:	200 m/h

Options:

- Power Generator
- Inoculation system
- Irrigation boom including nozzles
- Special colour
- Further equipment on request!



All information is subject to change without notice. Printing errors reserved.